

E2xB05 & E2xB10 5 & 10 Joule Xenon Strobe Beacons

- E2xB05 : 5 Joule @ 1Hz (5 Ws).
- E2xB10 : 10 Joule @ 1Hz (10 Ws).
- 6 lens colours available
Red, Amber, Blue, Green, Yellow & Clear.
- Xenon tube mechanically secured against vibration/shock.
- User replaceable Xenon tube assembly.
- Voltages : 12vdc; 24vdc; 48vdc; 120vac; 230vac
- Borosilicate glass dome.
- Stainless Steel dome guard as standard
- Enclosure material : UL94V0 PPS
- Weight : 1.48Kg
- ATEX: IP66 & IP67
- UL: Type 4, 4X & 13

- ATEX: E2xB05EG
Zone 2 Ex II 3G EEx nA nL IIC T2 (Tamb -20°C to +55°C)
Zone 2 Ex II 3G EEx nA nL IIC T3 (Tamb -20°C to +40°C)
Cert: DEMKO 06 ATEX 0421554
- UL: E2xB05UL
Class I, Division 2, Groups A,B,C,D T2D (215°C) (at +55°C)
Class I, Division 2, Groups A,B,C,D T3 (200°C) (at +40°C)
Class II, Division 2, Groups F & G T5 (100°C) (at +55°C)
Class II, Division 2, Groups F & G T6 (85°C) (at +40°C)
Class III, Division 1, T5 (100°C) (at +55°C)
Class III, Division 1, T6 (85°C) (at +40°C)
File: E254313

- ATEX: E2xB10EG
Zone 2 Ex II 3G EEx nA nL IIC T2 (Tamb -20°C to +55°C)
Cert: DEMKO 06 ATEX 0421554
- UL: E2xB10UL
Class I, Division 2, Groups A,B,C,D T2A (280°C) (at +55°C)
Class II, Division 2, Groups F & G T4A (120°C) (at +55°C)
Class III, Division 1, T4A (120°C) (at +55°C)
Class II, Division 2, Groups F & G T5 (100°C) (at +40°C)
Class III, Division 1, T5 (100°C) (at +40°C)
File: E254313



A heavy duty high output Xenon beacon, ideal for hazardous environments.

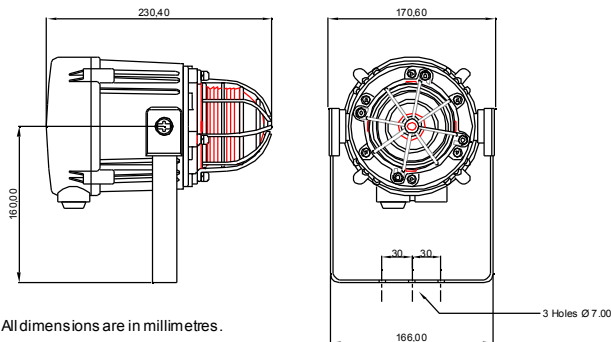
- Large termination area
- ATEX: 2 x M20 ISO cable gland entries (with 1 blanking plug).
- UL: 1 x 1/2"NPT cable gland entry with flying leads (0.5m)
- Ratchet adjustable stainless steel 'U' bracket for 360° positioning.
- ATEX 'EG' units offer IN & OUT terminals
- ATEX 'EG' unit terminals accept 0.5 to 2.5mm² cables.

Input voltages and current consumption for the E2xB05: 5 Joule beacon.

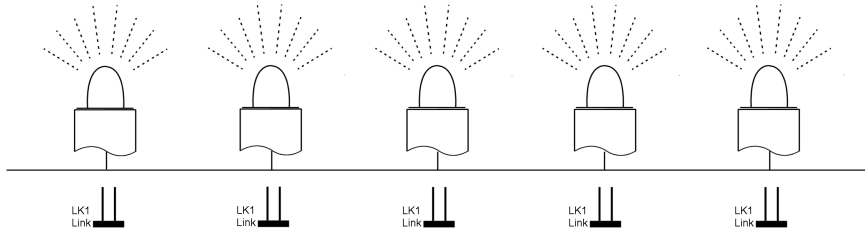
Voltage :	12vdc	24vdc	48vdc	120vac 50/60Hz	230vac 50/60Hz
Voltage range :	10-14v	20-28v	42-58v	+/-10%	+/-10%
Current mA :	520mA	275mA	145mA	80mA	30mA

Input voltages and current consumption for the E2xB10: 10 Joule beacon.

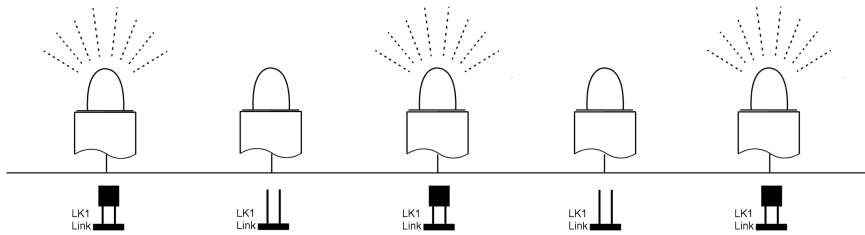
Voltage :	24vdc	48vdc	120vac 50/60Hz	230vac 50/60Hz
Voltage range :	20-28v	42-58v	+/-10%	+/-10%
Current mA :	560mA	260mA	185mA	107mA



Synchronised mode.



Flip-Flop (alternating) mode.



Ordering code :

E2xB05	UL	24DC	AM
Product	Type	Voltage	Lens
E2xB05	EG	12DC	AM Amber
E2xB10	UL	24DC	BL Blue
		48DC	CL Clear
		115AC	GN Green
		230AC	RD Red
			YW Yellow

Also available :

- E2xCS112-05 Combined alarm sounder & xenon beacon**
- E2xS112 Alarm sounders**
- E2xS121 High output alarm sounders**
- E2xL15 15 watt PA loudspeakers**

