

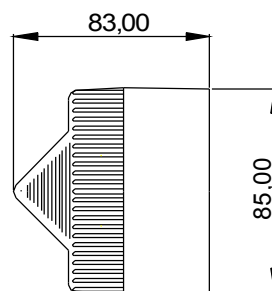
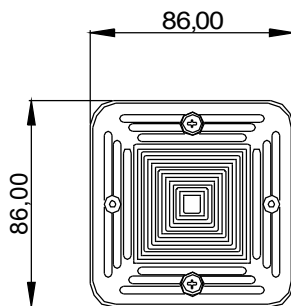
L101 AlertAlight Xenon Strobe Beacon



- 5 Joule @ 1Hz (5 Ws).
- 150 Candela output (clear lens)
- Optional 2.5 Joule @ 2Hz
- 7 lens colours available -
Amber, Blue, Clear, Green, Opal, Red, Yellow
- Tube life : 5 Million flashes (after which emissions reduced to 70%)
- Voltages: 12vdc; 24vdc; 48vdc; 12vac; 24vac; 48vac; 115vac; 230vac.
- Other voltages available upon request
- DC versions have reverse polarity protection.
- Mounting via internal BESA compatible fixing positions.
- Back box with mounting lugs also available.
- IP55 - can be increased to IP56 (dust protected, watertight) with WR kit.
- Tropicalisation available on request.
- Base enclosure material: UL94V0 & 5VA rated FR ABS
- Base colour available: Red (RAL3000), Grey or White.
- Lens material: Polycarbonate
- Operating temperature: -25 to +55°C
- Storage temperature: -40 to +70°C
- Relative humidity: 90% at 20°C
- Weight: 0.20Kg
- Terminals accept 0.5 to 4.0mm² cables.
- UL approved version available.



Voltage :	12vdc	24vdc	48vdc	12vac	24vac	48vac	115vac	230vac
				50/60Hz	50/60Hz	50/60Hz	50/60Hz	50/60Hz
Voltage range :	10-14v	20-28v	42-54v	+/-10%	+/-10%	+/-10%	+/-10%	+/-10%
Current mA :	500mA	250mA	175mA	380mA	300mA	250mA	70mA	35mA

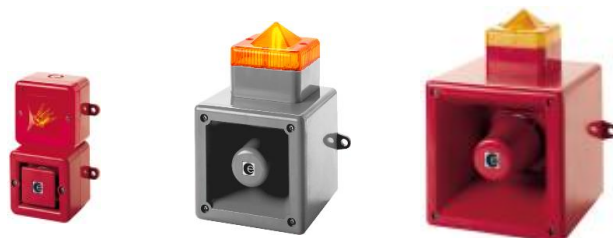


All dimensions are in millimetres.



Can be ordered with any of the **AlertAlarm** sounder range to create a combination unit.

Units can be operated individually or linked for complete audio visual signalling.

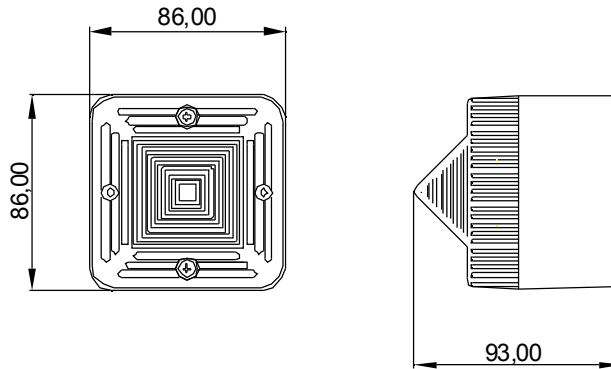


Ordering code :

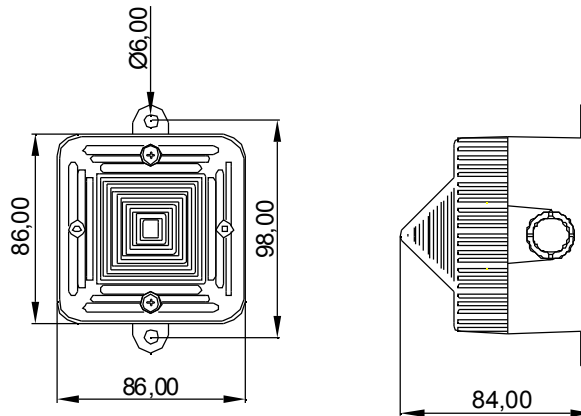
L101	DC	24	R	/	R
Product	Supply	Voltage	Housing		Lens
L101	DC	12	R	Red	A Amber
	AC	24	W	White	B Blue
		48	G	Grey	C Clear
		115			G Green
		230			O Opal
					R Red
					Y Yellow

L101 Mounting box options:

'Sonora' type back box:
3 x M20 knockouts
Example part no.: L101DC24SR/R



'A100' type back box:
2 x M20 knockouts
With mounting lugs.
Example part no.: L101DC24AR/R



'Multi-purpose' type back box:
Up to 2 x M20 knockouts
With mounting lugs
Example part no.: L101DC24MR/R

