

nD8611 Bulkhead



IP65

The nD8611 is a compact LED bulkhead is designed for use in heavy industrial and marine environments to identify escape routes. It is available with or without an integral battery pack and can also be connected to central battery systems.

Key Features:

- Compact and lightweight, ideal for building, walkway and stairwells.
- Instant 100% light output in emergency mode
- Maintained or Non-Maintained operation
- Automatic battery monitoring and fault indication.
- Exit signage to ISO 7010 and ASR A1.3 (Viewing distance = 22m).



Luminaire Ratings

| Product Reference | Colour Temperature (K) | Lumen output | Power (W) | Ambient Temperature | Integral Battery | Weight (kg) |
|-------------------|------------------------|--------------|-----------|---------------------|------------------|-------------|
| LX2ND8611201 | 6,500 | 100 | 4W | -20°C to 40°C | No | 0.9 |
| LX2ND86112013 | 6,500 | 100* | 4W | -5°C to 30°C** | Yes | 1.3 |

* - Lumen output in Emergency mode is unchanged

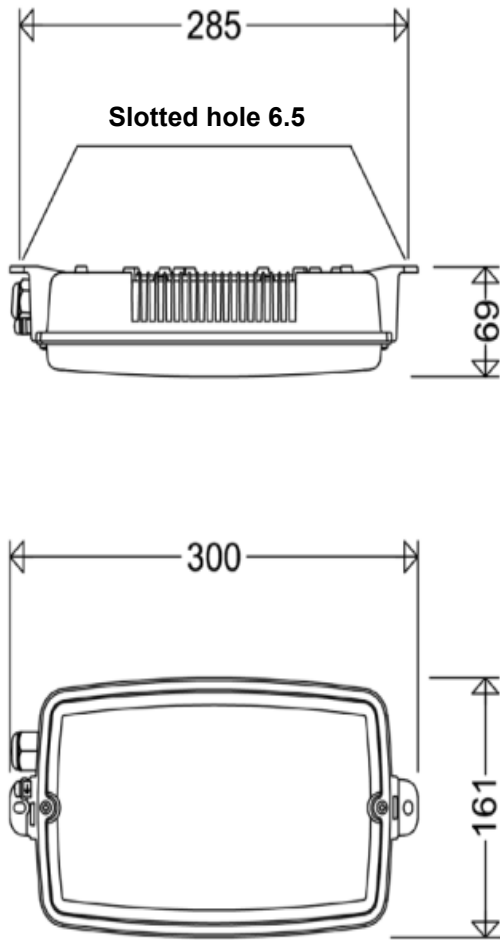
** - -5°C bis +30°C (maintained operation), -0°C bis +40°C (standby operation)

Standard Specifications

| | |
|------------------------|--|
| Luminaire Type | LED bulkhead luminaire with optional integral battery |
| Ingress Protection | IP65 to EN60529 |
| Material | Diecast Aluminium housing, polycarbonate opaque cover and silicone gaskets |
| Lamp Types | Light Emitting Diode, Pure White (5700K) |
| Colour Rendering Index | > 70 |
| LED life | 50,000 hours L ₇₀ @ 40°C |
| Cable Entry | 1 x M20 entry (front side). Supplied with 1 x M20 plastic gland |
| Terminals | 3 or 4 poles for up to 2.5mm ² conductors |
| Control Gear | HF electronic driver with electronic deep discharge protection to EN 61347-2-7 |
| Orientation | Universal |
| Mounting | Via 6.5mm slotted holes in body |
| Supply | 220 to 240V 50/60Hz ac |
| Battery | 6V 4.5Ah Ni-Cd |
| Emergency Operation | Maintained or non-maintained |
| Emergency Duration | 180 minutes (3 hours) at 100% output |
| Area Classification | ATEX Zone 2 & 22, Gas and Dust |
| Apparatus Coding | Ex II 3 G Ex nR* IIC T4 Gc Gc, Ex II 3 D Ex tc IIIC T80°C Dc |
| Certificate | SH 14.8611 |

* - Ex nR test port provided on side of luminaire

Luminaire Dimensions



Exit Signage to ISO 7010



Options

| | |
|-----|---|
| ZB | Preparation for use with central battery system |
| RR | Looping facility (2 x M20 entries same side) |
| ECG | 24V extra-low voltage |
| 60 | 60-minute emergency duration (100% output) |

Add the required suffix to the product reference.

Example: **LX2ND8611201ZB** = nD8611 bulkhead with preparation for central battery system

Accessories

| | |
|----------------|---|
| LX4ND8611-RMD | Self-adhesive running man (Down arrow) |
| LX4ND8611-RML | Self-adhesive running man (Left arrow) |
| LX4ND8611-RMR | Self-adhesive running man (Right arrow) |
| LX4ND8611-8621 | Spare 3-hour battery |
| LX4ND8611-DIF | Replacement frosted diffuser |