

BusBar Box

11kV

This 11kV busbar enclosure is designed to safely carry high voltage supplies with extreme current loadings in Zone 1 hazardous areas. Suitable for connectors over 400mm², the enclosure is capable of connecting three phases plus neutral and up to six conductors per phase.



- Up to 3200A**
- Fault rated 90kA for 0.1 second
- DTS-01 deluge tested enclosure
- Heavy duty machined hinges with lift off cover pad-lockable cover

Enclosure Ratings

Product Reference*	Width (mm)	Height (mm)	Depth (mm)	Maximum Voltage (kV)	Maximum Current (A)**	Max. Ways	Max No. Conductors per Way	Suits Cable Type
BUSBARBOX 1	770	675	770	11	3000	4	6	Single core
BUSBARBOX 2	770	1250	770	11	3000	4	6	Multi core
BUSBARBOX 3	1000	675	770	11	3000	4	6	Single core
BUSBARBOX 4	1000	1250	770	11	3000	4	6	Multi core
BUSBARBOX 5	1250	675	770	11	3000	4	6	Single core
BUSBARBOX 6	1250	1250	770	11	3000	4	6	Multi core

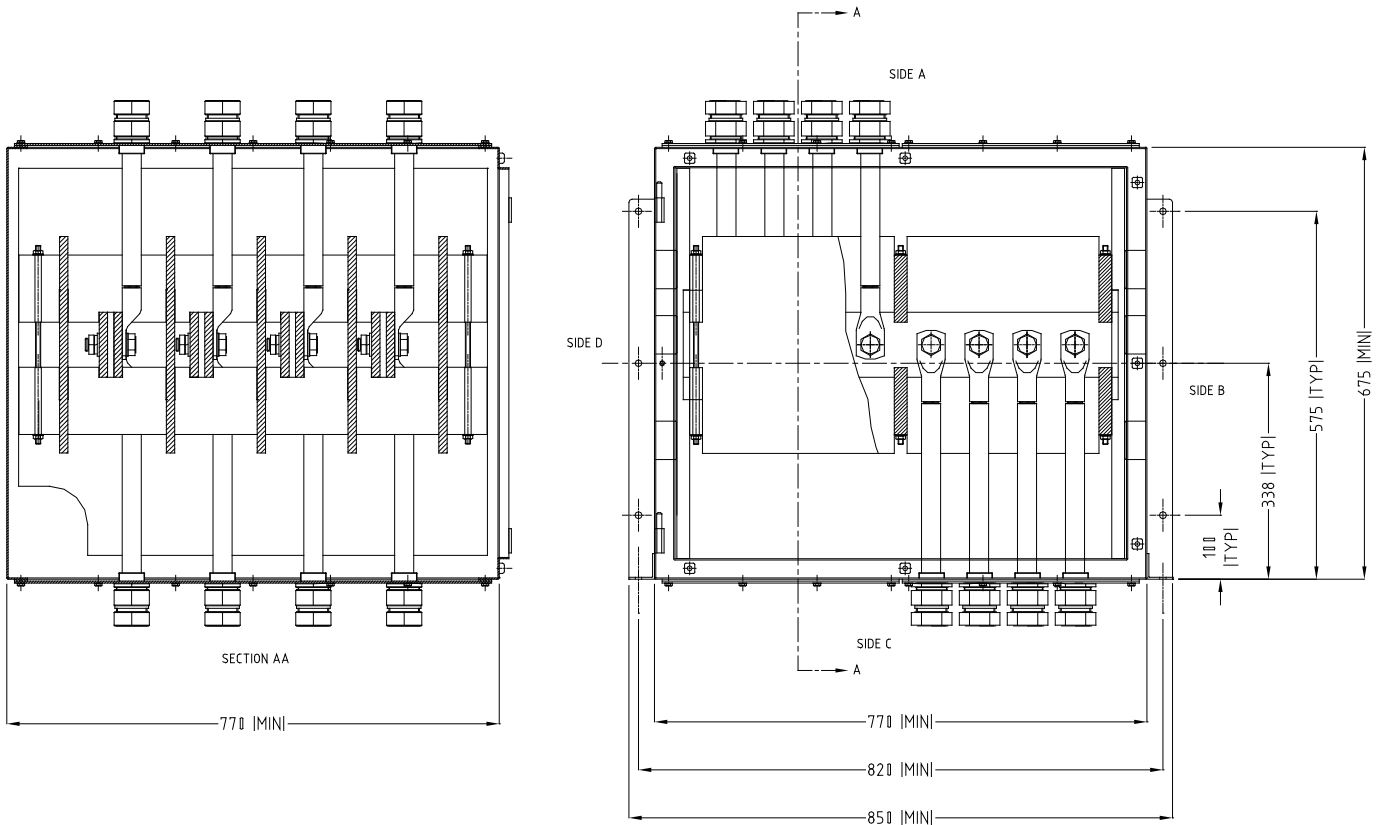
* Available as Type A = Bottom Entry Only Configuration or Type B = Through Box Configuration

** Maximum line current when connected in a Delta configuration

Standard Specifications

Enclosure Type	High Voltage
Maximum Voltage	11kV
Maximum Current**	Up to 3000A standard, 3200A optional
Ingress Protection	IP66 to EN60529, DTS-01
Impact Resistance	>7Nm
Material	2mm 316L Stainless Steel (EN 1.4404) enclosure with orbital finish, silicone gasket and captive 316 stainless steel fasteners, 5mm 316L (EN 1.4404) Stainless Steel gland plates
Crimp Lugs	16mm ² to 800mm ²
Earthing	Via studs on enclosure, door and gland plates
Mounting	Via heavy duty 3mm thick external angle frames
Certification	
Area Classification	Zone 1 & 21, Gas and Dust / Class 1 Division 2 / InMetro
Type of Protection	Ex e (Increased Safety), Ex tb (Dust Protected)
Apparatus Coding	Ex e IIC T5/T6 Gb, Ex tb IIIC T65°C /T55°C Db
Ambient Temp Rating	-40°C to +40°C T5/T6, -40°C to +60°C T6
Certificate Number	ATEX: Sira 99ATEX3177 / IECEX: SIR 12.0155 / InMetro: TÜV 11.0322

Dimensions



Options

There are no options for this product. Painted finishes are available upon request.

Accessories

ABDM2010SS	M20 Breather drain
ABDM2510SS	M25 Breather drain
COHTxxxxxx	Anti-condensation heater (wattage and on/off range to be advised)
FBM16EEA4CERT	M16 Eye bolt Stainless Steel A4 DIN580