

# Exodus Bulkhead

**LED** IP66/67

The Exodus is an LED bulkhead is designed for use in heavy industrial and marine environments. An emergency version with internal batteries is also available.

## Key Features:

- Compact design is ideal for building perimeter, walkway or stairwell lighting.
- Maintained or Non-Maintained operation
- Manufactured LM24 Aluminium Alloy, epoxy powder coated for corrosion resistance.
- Can accommodate any fire exit sign to ISO 7010 (300mm x 150MM).
- 5 Year complete system warranty\*.



Image shown features running man with arrow suffix



## Luminaire Ratings

Product Reference	Colour Temperature (K)	Lumen output	Power (W)	Ambient Temperature*	Weight (kg)
LX2EXO2LB57	5,700	2,200	20W	-20°C to 55°C	7.0
LX2EXO <b>E</b> 2LB57	5,700	2,200	20W	-20°C to 55°C	8.0

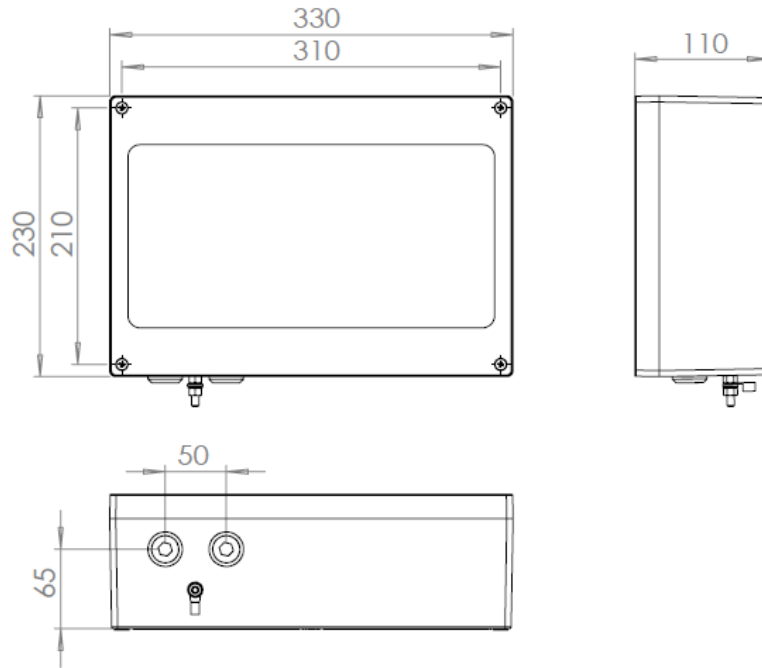
**E** – Denotes emergency battery backup

## Standard Specifications

Luminaire Type	LED bulkhead luminaire
Ingress Protection	IP66/67 to EN60529
Material	Marine grade Aluminium, epoxy powder coated housing, toughened glass window, Silicone gaskets and Stainless-Steel grade 316 fasteners
Lamp Types	Light Emitting Diode, Pure White (5700K)
Colour Rendering Index	> 80
LED life	50,000 hours L <sub>70</sub> @ 40°C
Cable Entry	2 x M20 threaded holes. Supplied with 2 x transit plug
Terminals	Looping terminal block for up to 4mm <sup>2</sup> conductors
Control Gear	Electronic driver: EN60601-1 (CE), EN61204-3 (EMC), EN61000-4-5 (Surge Protection Class 3)
Orientation	Universal
Mounting	Via mounting holes in body
Supply	90 to 250V 50/60Hz ac
Battery	6V 4.5Ah Ni-Cd
Emergency Operation	Maintained mode as standard
Emergency Duration	180 minutes (3 hours) at 25% output
Area Classification	ATEX Zone 2 & 22, Gas and Dust
Apparatus Coding	Ex II 2G Ex ec ic op is q IIB T4 Gc, Ex tc op is IIIC T135°C Db
Certificate Number	ATEX: CML 16ATEX3151X IECEx: CML 16.0120

\* - Excludes batteries

Product design and specifications are subject to change without notice; please check the website for latest specifications



Options

M25	M25 cable entries (other thread types available on request)
NM	Non-maintained emergency mode
90	90-minute emergency duration (90 minutes at 50% output)
MPF	Marine protection finish (for use in highly saline coastal locations)
RALxxx	Specific paint colour (RAL number to be specified)

Add the required suffix to the product reference.

Example: **LX2EXO**E2LB57M25RMRA = Exodus **emergency** bulkhead with M25 entries.

Accessories

LX4EXO-DECALRMD	Exodus Exit Decal – Running Man Down Arrow
LX4EXO-DECALRML	Exodus Exit Decal – Running Man Left Arrow
LX4EXO-DECALRMR	Exodus Exit Decal – Running Man Right Arrow
LX4EXO-SRP	Stirrup mounting bracket (Stainless Steel)