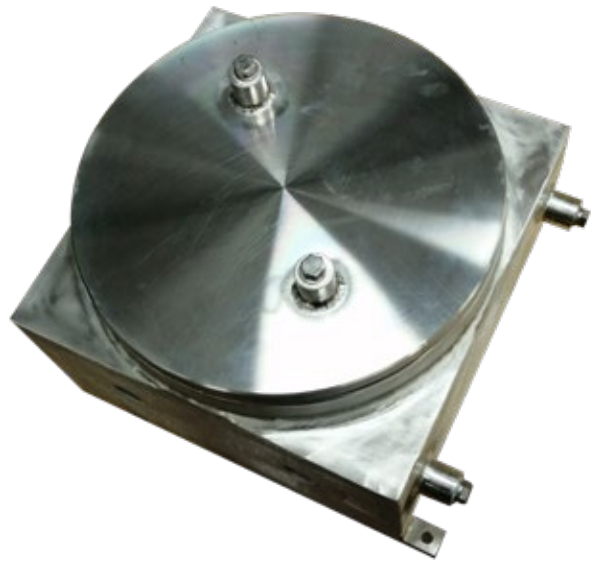


Ex db and Ex tb IIC ALUMINUM AND STAINLESS STEEL ENCLOSURES - GUB SERIES



GUB... series enclosures are suitable for use in industrial plants, chemical and petrochemical industries, offshore platforms, etc. where a potentially explosive atmosphere due to the presence of gases and/or dusts may be present.

GUB... series enclosures are available in copper free aluminum or stainless steel. They can be in stationary or portable versions, and for stationary versions they can be equipped with windows.



Address

A.B. Controls & Technology 1813 Rotary Drive,
Humble, TX, 77338

Web

www.abtech-inc.com

Contacts

Ph: 281-548-3624 - Fax: 281-548-3624



This catalogue is intended for commercial purposes only. For hazardous area equipments and components, the relevant standards, the relevant certificates and the relevant operating and maintenance instructions, must be followed. Changes or mistakes do not justify any claim for damage compensation.

GUB SERIES - TECHNICAL SPECIFICATION

MATERIAL

Enclosure material: Copper free aluminum or stainless steel AISI316L
Windows (option): Borosilicate tempered glass

Ex CODE

Ex marking:  II 2G
Ex db IIC T6...T4 Gb
or
 II 2GD
Ex db IIC T6...T4 Gb
Ex tb IIIC T85°C...T135°C Db

MECHANICAL FEATURES

Degree of protection: IP66
Temperature: -50°C to +80°C (without window, EPL Gb)
-40°C to +80°C (without window, EPL Gb and Db)
-40°C to +80°C (with window, EPL Gb and Db)
Threaded Holes: ISO Metric / ANSI B1.20.1 NPT

Ex FEATURES

Standards: EN 60079-0 / EN 60079-1 / EN 60079-11 / EN 60079-31
IEC 60079-0 / IEC 60079-1 / IEC 60079-11 / IEC 60079-31
Suitable for: Zone 1 / Zone 2 / Zone 21 / Zone 22

CERTIFICATES

Certificates Number:  EPT 17ATEX2760X Issue 1
 IECEX EUT 17.0029X Issue 2
 TR Cu certificates available upon request
 INMETRO certificates available upon request


NOTE

PART NUMBER

Part number: GUB . / . / .
GUB . / P / . / .
GUB . / W / . / .

Enclosures can be internally equipped with intrinsically safe equipment (ambient temperature max. +60°C).
Enclosures can be equipped with operators on side.
Enclosures can be equipped with batteries.



Address

A.B. Controls & Technology 1813 Rotary Drive,
Humble, TX, 77338

Web

www.abtech-inc.com

Contacts

Ph: 281-548-3624 - Fax: 281-548-3624

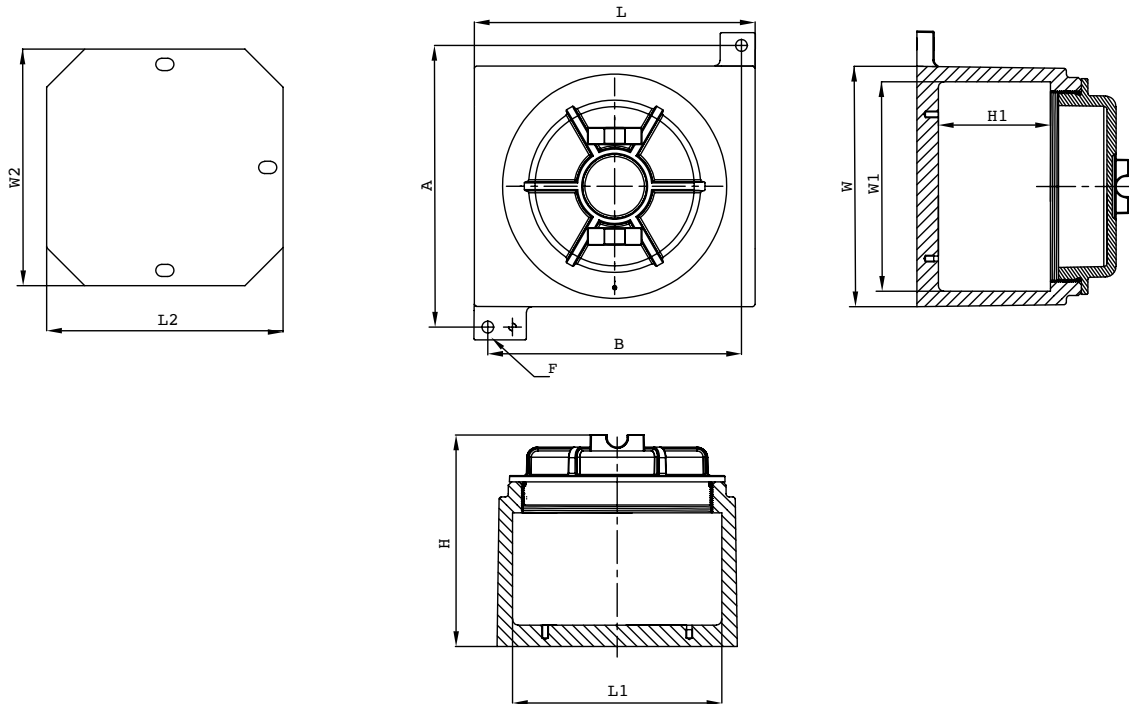
This catalogue is intended for commercial purposes only. For hazardous area equipments and components, the relevant standards, the relevant certificates and the relevant operating and maintenance instructions, must be followed. Changes or mistakes do not justify any claim for damage compensation.

GUB SERIES - ALUMINUM DIMENSIONS

ALUMINIUM

TYPE	External dimensions (mm)			Internal dimensions (mm)			Plates dimensions (mm)*		Fixing holes (mm)		Fixing bolts dim. (F)	Weight (kg)
	Length (L)	Width (W)	Height (H)	Lenght (L1)	Width (W1)	Height (H1)	Length (L2)	Width W(2)	A	B		
GUB1	174	174	166	145	145	76	130	60	198	148	M10	5
GUB2	208	208	195	180	180	106	155	155	230	178	M10	6,5
GUB3	263	225	198	234	192	111	190	150	260	230	M10	8,5
GUB4	325	291	277	278	246	144	250	216	316	300	M10	22
GUB5	430	430	300	392	392	175	340	340	470	390	M12	41
GUB6	573	570	380	507	507	208	440	440	650	523	M12	113

Dimensions and weights are subject to change without notice.

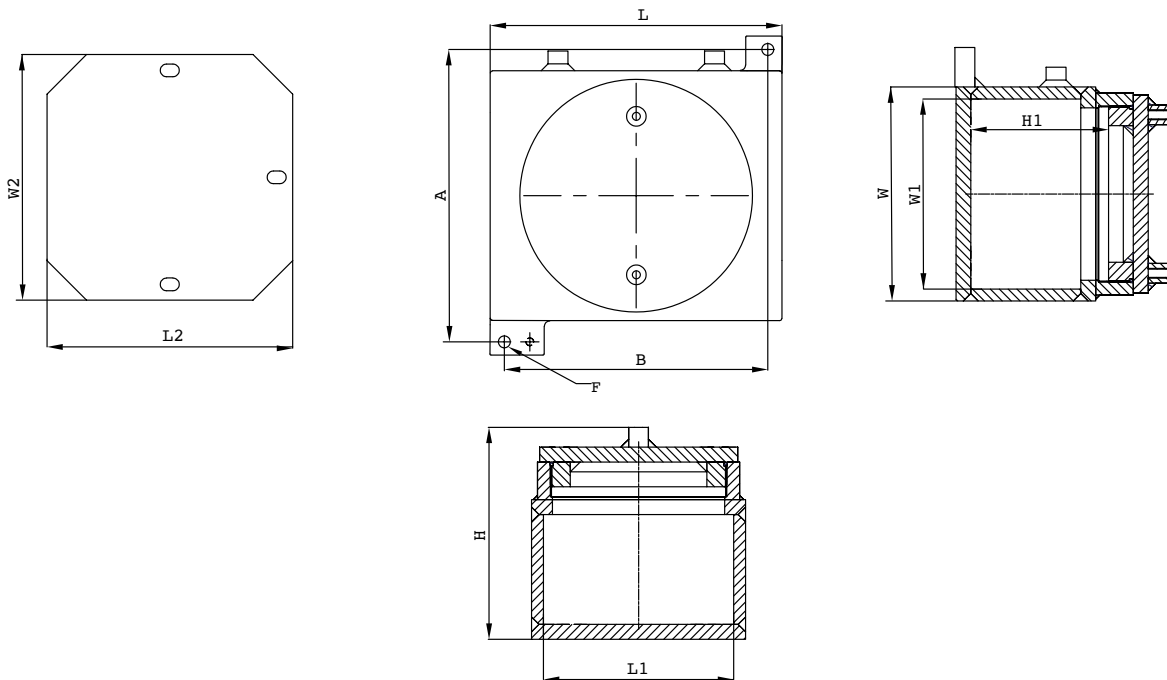


GUB SERIES - 316L DIMENSIONS

STAINLESS STEEL (only for GUB././.)

TYPE	External dimensions (mm)			Internal dimensions (mm)			Plates dimensions (mm)*		Fixing holes (mm)		Fixing bolts dim. (F)	Weight (kg)
	Length (L)	Width (W)	Height (H)	Lenght (L1)	Width (W1)	Height (H1)	Length L2	Width W2	A	B		
GUBS1	170	170	160	146	146	110	130	60	198	144	M10	16
GUBS2	204	204	190	180	180	134	155	155	230	178	M10	23
GUBS3	258	216	195	234	192	139	190	150	260	230	M10	30
GUBS4	308	276	243	278	246	185	250	216	316	284	M10	52
GUBS5	432	432	276	402	402	173	340	340	480	390	M11	118
GUBS6	537	537	370	507	507	230	440	440	650	493	M12	172

Dimensions and weights are subject to change without notice.



Address

A.B. Controls & Technology 1813 Rotary Drive,
Humble, TX, 77338

Web

www.abtech-inc.com

Contacts

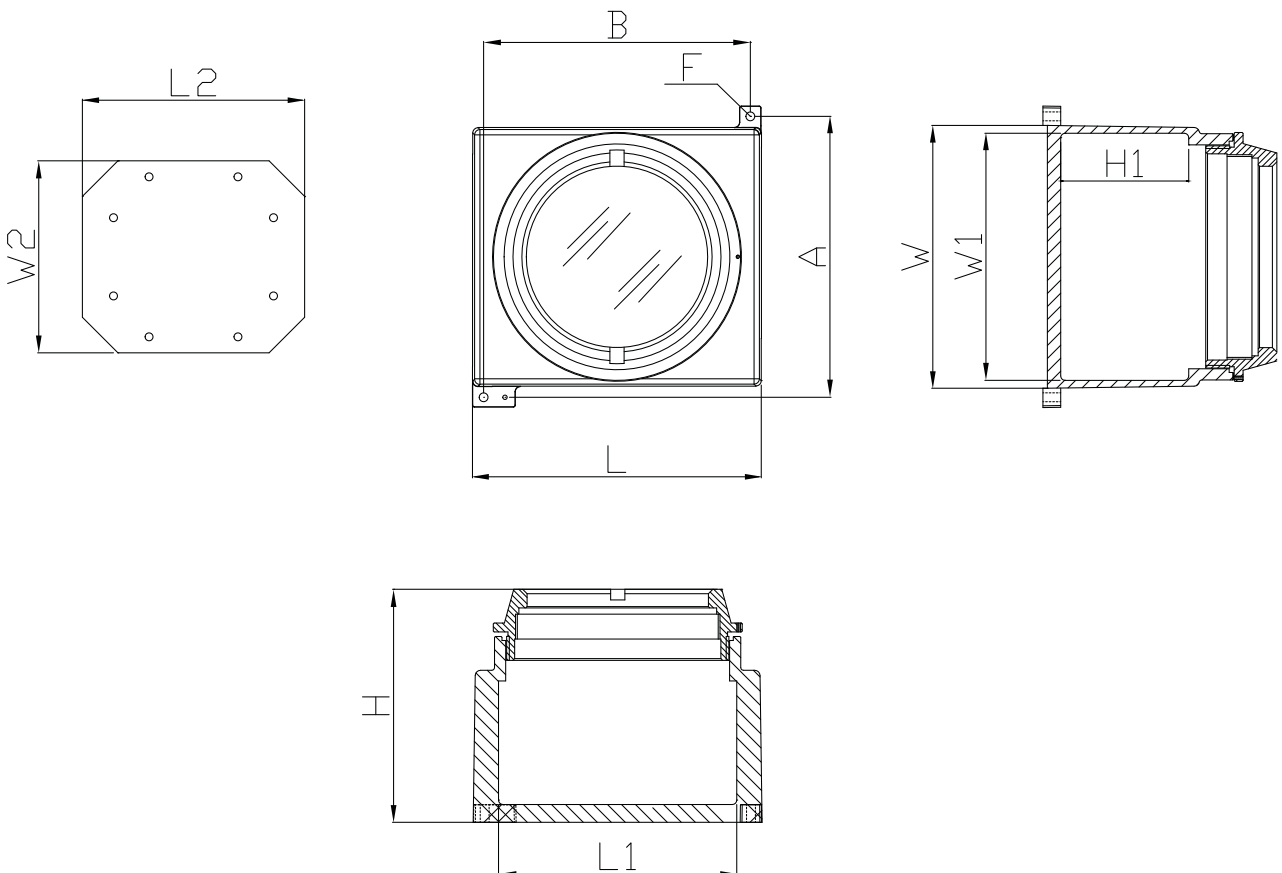
Ph: 281-548-3624 - Fax: 281-548-3624

This catalogue is intended for commercial purposes only. For hazardous area equipments and components, the relevant standards, the relevant certificates and the relevant operating and maintenance instructions, must be followed. Changes or mistakes do not justify any claim for damage compensation.

GUB SERIES WITH WINDOW - ALUMINUM DIMENSIONS AND DRAWINGS

TYPE	External dimensions (mm)			Internal dimensions (mm)			Plates dimensions (mm)*		Fixing holes (mm)		Fixing bolts dim. (F)	Weight (kg)	Glass Windows (mm) (option)
	Length (L)	Width (W)	Height (H)	Length (L1)	Width (W1)	Height (H1)	Length L2	Width W2	A	B			
											GUB-2/W	208	208
GUB-3/W	263	225	190	234	192	111	190	150	260	230	M10	9	136
GUB-4/W	325	291	262	278	246	144	250	216	316	300	M10	23	204

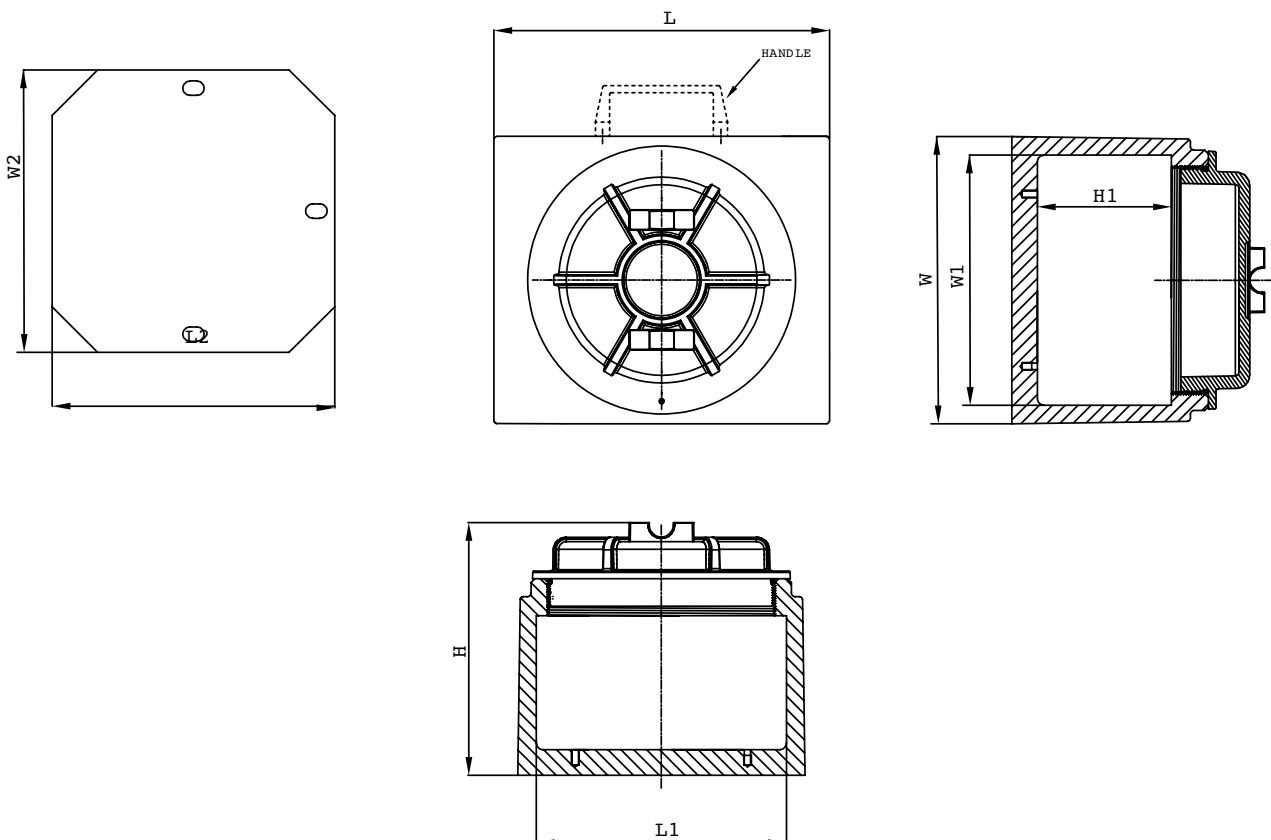
Dimensions and weights are subject to change without notice.



GUB SERIES PORTABLE - ALUMINUM DIMENSIONS AND DRAWINGS

TYPE	External dimensions (mm)			Internal dimensions (mm)			Plates dimensions (mm)*		Weight (kg)
	Length (L)	Width (W)	Height (H)	Length (L1)	Width (W1)	Height (H1)	Length (L2)	Width (W(2))	
GUB2/P	208	208	195	180	180	160	155	155	6,5
GUB3/P	225	263	198	192	234	164	190	150	8,5

Dimensions and weights are subject to change without notice.



Address

A.B. Controls & Technology 1813 Rotary Drive,
Humble, TX, 77338

Web

www.abtech-inc.com

Contacts

Ph: 281-548-3624 - Fax: 281-548-3624

This catalogue is intended for commercial purposes only. For hazardous area equipments and components, the relevant standards, the relevant certificates and the relevant operating and maintenance instructions, must be followed. Changes or mistakes do not justify any claim for damage compensation.

GUB SERIES - FEATURES

MAXIMUM DISSIPATED POWER LIMITS (W / VA) RELATED TO THE ALUMINUM MATERIAL VERSION

Maximum dissipated power for versions Ex db and or Ex tb - Frame mounting installation 6 sides involved in thermal dissipation + warming entry point > 70°C															
Type (AL)	Tamb up to 40°C			Tamb up to 50°C			Tamb up to 60°C			Tamb up to 70°C			Tamb up to 80°C		
	T6 / T85°C	T5 / T100°C	T4 / T135°C	T6 / T85°C	T5 / T100°C	T4 / T135°C	T6 / T85°C	T5 / T100°C	T4 / T135°C	T6 / T85°C	T5 / T100°C	T4 / T135°C	T6 / T85°C	T5 / T100°C	T4 / T135°C
GUB1	39	61	106	26	46	94	16	32	79	8	20	68	0	12	55
GUB2	45	68	120	28	51	106	18	35	90	9	23	74	0	14	58
GUB3	63	92	169	39	71	150	25	48	129	12	32	100	0	19	81
GUB4	94	144	281	71	105	250	47	82	201	23	59	157	0	35	120
GUB5	119	169	337	89	134	277	59	104	242	29	74	186	0	44	149
GUB6	282	449	752	176	318	661	111	216	578	55	141	490	0	83	367

GUB SERIES - FEATURES

Maximum dissipated power for versions Ex db and or Ex tb - Wall mounting installation 5 sides involved in thermal dissipation + warning entry point > 70°C															
Type (AL)	Tamb up to 40°C			Tamb up to 50°C			Tamb up to 60°C			Tamb up to 70°C			Tamb up to 80°C		
	T6 / T85°C	T5 / T100°C	T4 / T135°C	T6 / T85°C	T5 / T100°C	T4 / T135°C	T6 / T85°C	T5 / T100°C	T4 / T135°C	T6 / T85°C	T5 / T100°C	T4 / T135°C	T6 / T85°C	T5 / T100°C	T4 / T135°C
GUB1	36	53	99	22	40	88	14	27	75	7	18	57	0	10	46
GUB2	36	57	111	24	45	96	16	29	77	8	20	65	0	12	51
GUB3	50	80	155	34	64	134	22	41	108	11	28	90	0	17	71
GUB4	86	120	256	65	96	210	43	75	171	21	54	143	0	32	107
GUB5	109	155	290	81	122	253	54	95	207	27	68	169	0	40	136
GUB6	216	347	648	149	255	576	97	181	499	48	121	392	0	73	307

Address

A.B. Controls & Technology 1813 Rotary Drive,
Humble, TX, 77338

Web

www.abtech-inc.com

Contacts

Ph: 281-548-3624 - Fax: 281-548-3624

This catalogue is intended for commercial purposes only. For hazardous area equipments and components, the relevant standards, the relevant certificates and the relevant operating and maintenance instructions, must be followed. Changes or mistakes do not justify any claim for damage compensation.

GUB SERIES - FEATURES

Maximum dissipated power for versions Ex db [i.] with or without Ex tb type of protection - Frame mounting installation 6 sides involved in thermal dissipation + warning entry point > 70°C			
Type (AL)	Tamb up to 40°C	Tamb up to 50°C	Tamb up to 60°C
	T6 / T85°C		
	Tcable 78°C		
GUB1	39	26	16
GUB2	45	28	18
GUB3	63	39	25
GUB4	94	71	47
GUB5	119	89	59
GUB6	282	176	111

Maximum dissipated power for versions Ex db [i.] with or without Ex tb type of protection - Wall mounting installation 5 sides involved in thermal dissipation + warning entry point > 70°C			
Type (AL)	Tamb up to 40°C	Tamb up to 50°C	Tamb up to 60°C
	T6 / T85°C		
	Tcable 78°C		
GUB1	36	22	14
GUB2	36	24	16
GUB3	50	34	22
GUB4	86	65	43
GUB5	109	81	54
GUB6	216	149	97



GUB SERIES - FEATURES

Maximum dissipated power for versions Ex db and or Ex tb - Frame mounting installation 6 sides involved in thermal dissipation without warming entry point															
Type (AL)	Tamb up to 40°C			Tamb up to 50°C			Tamb up to 60°C			Tamb up to 70°C			Tamb up to 80°C		
	T6 / T85°C	T5 / T100°C	T4 / T135°C	T6 / T85°C	T5 / T100°C	T4 / T135°C	T6 / T85°C	T5 / T100°C	T4 / T135°C	T6 / T85°C	T5 / T100°C	T4 / T135°C	T6 / T85°C	T5 / T100°C	T4 / T135°C
	No T. Cable marked														
GUB1	39	39	39	22	22	22	10	10	10	0	0	0	0	0	0
GUB2	44	44	44	25	25	25	12	12	12	0	0	0	0	0	0
GUB3	63	67	67	38	38	38	18	18	18	0	0	0	0	0	0
GUB4	90	90	90	59	59	59	29	29	29	0	0	0	0	0	0
GUB5	118	118	118	77	77	77	38	38	38	0	0	0	0	0	0
GUB6	275	275	275	173	173	173	85	85	85	0	0	0	0	0	0

Address

A.B. Controls & Technology 1813 Rotary Drive,
Humble, TX, 77338

Web

www.abtech-inc.com

Contacts

Ph: 281-548-3624 - Fax: 281-548-3624

This catalogue is intended for commercial purposes only. For hazardous area equipments and components, the relevant standards, the relevant certificates and the relevant operating and maintenance instructions, must be followed. Changes or mistakes do not justify any claim for damage compensation.

GUB SERIES - FEATURES

Maximum dissipated power for versions Ex db and or Ex tb - Wall mounting installation 5 sides involved in thermal dissipation without warning entry point												
Type (AL)	Tamb up to 40°C			Tamb up to 50°C			Tamb up to 60°C			Tamb up to 80°C		
	T6 / T85°C	T5 / T100°C	T4 / T135°C	T6 / T85°C	T5 / T100°C	T4 / T135°C	T6 / T85°C	T5 / T100°C	T4 / T135°C	T6 / T85°C	T5 / T100°C	T4 / T135°C
	No T. Cable marked											
GUB1	35	35	35	20	10	10	10	10	0	0	0	0
GUB2	36	39	39	23	11	11	11	11	0	0	0	0
GUB3	50	56	56	33	16	16	16	16	0	0	0	0
GUB4	82	82	82	54	27	27	27	27	0	0	0	0
GUB5	108	108	108	71	35	35	35	35	0	0	0	0
GUB6	216	235	235	149	74	74	74	74	0	0	0	0

GUB SERIES - FEATURES

Maximum dissipated power for versions Ex db [i.] with or without Ex tb type of protection - Frame mounting installation 6 sides involved in thermal dissipation without warning entry point			
Type (AL)	Tamb up to 40°C	Tamb up to 50°C	Tamb up to 60°C
	T6 / T85°C		
	No T. Cable marked		
GUB1	39	22	10
GUB2	44	25	12
GUB3	63	38	18
GUB4	90	59	29
GUB5	118	77	38
GUB6	275	173	85

Maximum dissipated power for versions Ex db [i.] with or without Ex tb type of protection - Wall mounting installation 5 sides involved in thermal dissipation without warning entry point			
Type (AL)	Tamb up to 40°C	Tamb up to 50°C	Tamb up to 60°C
	T6 / T85°C		
	No T. Cable marked		
GUB1	35	20	10
GUB2	36	23	11
GUB3	50	33	16
GUB4	82	54	27
GUB5	108	71	35
GUB6	216	149	74



Address

A.B. Controls & Technology 1813 Rotary Drive,
Humble, TX, 77338

Web

www.abtech-inc.com

Contacts

Ph: 281-548-3624 - Fax: 281-548-3624

GUB SERIES - FEATURES

MAXIMUM DISSIPATED POWER LIMITS (W / VA) RELATED TO THE STAINLESS STEEL MATERIAL VERSION

Maximum dissipated power for versions Ex db and or Ex tb - Frame mounting installation 6 sides involved in thermal dissipation + warning entry point > 70°C																		
Type (SS)	Tamb up to 40°C				Tamb up to 50°C				Tamb up to 60°C									
	T6 / T85°C		T5 / T100°C		T4 / T135°C		T6 / T85°C		T5 / T100°C		T4 / T135°C							
	Tcable 78°C	Tcable 125°C	Tcable 92°C	Tcable 150°C	Tcable 120°C	Tcable 180°C	Tcable 78°C	Tcable 125°C	Tcable 92°C	Tcable 150°C	Tcable 120°C	Tcable 180°C						
GUB1	15	38	21	58	39	82	11	25	17	45	31	74	7	16	13	31	25	65
GUB2	17	44	24	66	44	93	13	28	19	49	35	82	8	18	15	34	29	74
GUB3	26	62	37	90	67	143	19	38	29	70	54	132	12	25	22	47	44	113
GUB4	60	79	81	108	128	236	44	60	66	89	107	193	28	40	51	69	93	154
GUB5	77	100	104	138	157	261	57	75	85	113	138	218	36	50	65	87	120	180
GUB6	158	204	225	329	386	624	115	142	177	241	320	550	74	93	132	172	265	480

GUB SERIES - FEATURES

Maximum dissipated power for versions Ex db and or Ex tb - Frame mounting installation 6 sides involved in thermal dissipation + warning entry point > 70°C

Type (SS)	Tamb up to 70°C						Tamb up to 80°C					
	T6 / T85°C		T5 / T100°C		T4 / T135°C		T6 / T85°C		T5 / T100°C		T4 / T135°C	
	Tcable 78°C	Tcable 125°C	Tcable 92°C	Tcable 150°C	Tcable 120°C	Tcable 180°C	Tcable 78°C	Tcable 125°C	Tcable 92°C	Tcable 150°C	Tcable 120°C	Tcable 180°C
GUB1	3	8	9	20	20	58	0	0	4	12	16	51
GUB2	3	9	10	23	23	66	0	0	5	13	18	56
GUB3	5	12	15	31	35	98	0	0	8	19	28	79
GUB4	12	20	35	50	78	121	0	0	19	30	63	98
GUB5	16	25	44	62	101	150	0	0	24	37	81	125
GUB6	32	46	90	117	215	371	0	0	49	70	168	296



Address

A.B. Controls & Technology 1813 Rotary Drive,
Humble, TX, 77338

Web

www.abtech-inc.com

Contacts

Ph: 281-548-3624 - Fax: 281-548-3624

This catalogue is intended for commercial purposes only. For hazardous area equipments and components, the relevant standards, the relevant certificates and the relevant operating and maintenance instructions, must be followed. Changes or mistakes do not justify any claim for damage compensation.

GUB SERIES - FEATURES

Maximum dissipated power for versions Ex db and or Ex tb - Wall mounting installation 5 sides involved in thermal dissipation + warning entry point > 70°C																		
Type (SS)	Tamb up to 40°C				Tamb up to 50°C				Tamb up to 60°C									
	T6 / T85°C		T5 / T100°C		T4 / T135°C		T6 / T85°C		T5 / T100°C		T4 / T135°C		T6 / T85°C					
	Tcable 78°C	Tcable 125°C	Tcable 92°C	Tcable 150°C	Tcable 120°C	Tcable 180°C	Tcable 78°C	Tcable 125°C	Tcable 92°C	Tcable 150°C	Tcable 120°C	Tcable 180°C	Tcable 78°C	Tcable 125°C				
GUB1	13	28	17	45	30	64	9	19	14	36	25	57	6	13	11	23	20	52
GUB2	14	30	20	50	33	70	10	22	16	36	27	64	7	14	12	25	23	58
GUB3	21	43	28	70	46	100	15	30	23	50	39	91	9	20	17	36	33	82
GUB4	56	77	76	106	115	213	41	58	62	87	100	189	26	39	47	68	87	151
GUB5	72	98	98	135	147	256	53	73	80	110	130	211	34	49	60	85	112	177
GUB6	140	187	198	304	328	583	103	131	156	219	278	513	66	87	118	158	233	448

GUB SERIES - FEATURES

Maximum dissipated power for versions Ex db and or Ex tb - Wall mounting installation 5 sides involved in thermal dissipation + warning entry point > 70°C

Type (SS)	Tamb up to 70°C						Tamb up to 80°C					
	T6 / T85°C		T5 / T100°C		T4 / T135°C		T6 / T85°C		T5 / T100°C		T4 / T135°C	
	Tcable 78°C	Tcable 125°C	Tcable 92°C	Tcable 150°C	Tcable 120°C	Tcable 180°C	Tcable 78°C	Tcable 125°C	Tcable 92°C	Tcable 150°C	Tcable 120°C	Tcable 180°C
GUB1	2	6	7	16	17	47	0	0	4	9	13	40
GUB2	3	7	8	18	19	52	0	0	4	11	15	45
GUB3	4	10	12	25	27	74	0	0	6	15	22	64
GUB4	11	19	32	48	73	117	0	0	17	29	59	96
GUB5	15	24	41	61	94	147	0	0	22	36	76	122
GUB6	29	43	81	109	189	338	0	0	44	65	148	255



Address

A.B. Controls & Technology 1813 Rotary Drive,
Humble, TX, 77338

Web

www.abtech-inc.com

Contacts

Ph: 281-548-3624 - Fax: 281-548-3624

This catalogue is intended for commercial purposes only. For hazardous area equipments and components, the relevant standards, the relevant certificates and the relevant operating and maintenance instructions, must be followed. Changes or mistakes do not justify any claim for damage compensation.

GUB SERIES - FEATURES

Maximum dissipated power for versions Ex db [i.] with or without Ex tb type of protection - Frame mounting installation 6 sides involved in thermal dissipation + warning entry point > 70°C						
Type (SS)	Tamb up to 40°C		Tamb up to 50°C		Tamb up to 60°C	
	T6 / T85°C					
	Tcable 78°C	Tcable 125°C	Tcable 78°C	Tcable 125°C	Tcable 78°C	Tcable 125°C
GUB1	15	38	11	25	7	16
GUB2	17	44	13	28	8	18
GUB3	26	62	19	38	12	25
GUB4	60	79	44	60	28	40
GUB5	77	100	57	75	36	50
GUB6	158	204	115	142	74	93



GUB SERIES - FEATURES

Maximum dissipated power for versions Ex db [i.] with or without Ex tb type of protection – Wall mounting installation 5 sides involved in thermal dissipation + warning entry point > 70°C						
Type (SS)	Tamb up to 40°C		Tamb up to 50°C		Tamb up to 60°C	
	T6 / T85°C					
	Tcable 78°C	Tcable 125°C	Tcable 78°C	Tcable 125°C	Tcable 78°C	Tcable 125°C
GUB1	13	28	9	19	6	13
GUB2	14	30	10	22	7	14
GUB3	21	43	15	30	9	20
GUB4	56	77	41	58	26	39
GUB5	72	98	53	73	34	49
GUB6	140	187	103	131	66	87



Address

A.B. Controls & Technology 1813 Rotary Drive,
Humble, TX, 77338

Web

www.abtech-inc.com

Contacts

Ph: 281-548-3624 - Fax: 281-548-3624

This catalogue is intended for commercial purposes only. For hazardous area equipments and components, the relevant standards, the relevant certificates and the relevant operating and maintenance instructions, must be followed. Changes or mistakes do not justify any claim for damage compensation.

GUB SERIES - FEATURES

Maximum dissipated power for versions Ex db and or Ex tb - Frame mounting installation 6 sides involved in thermal dissipation without warning entry point															
Type (SS)	Tamb up to 40°C			Tamb up to 50°C			Tamb up to 60°C			Tamb up to 70°C			Tamb up to 80°C		
	T6 / T85°C	T5 / T100°C	T4 / T135°C	T6 / T85°C	T5 / T100°C	T4 / T135°C	T6 / T85°C	T5 / T100°C	T4 / T135°C	T6 / T85°C	T5 / T100°C	T4 / T135°C	T6 / T85°C	T5 / T100°C	T4 / T135°C
	No Tcable marked														
GUB1	12			8			4			0			0		
GUB2	14			9			4			0			0		
GUB3	21			14			7			0			0		
GUB4	47			31			15			0			0		
GUB5	61			40			20			0			0		
GUB6	123			82			41			0			0		

GUB SERIES - FEATURES

Maximum dissipated power for versions Ex db and or Ex tb – Wall mounting installation 5 sides involved in thermal dissipation without warning entry point															
Type (SS)	Tamb up to 40°C			Tamb up to 50°C			Tamb up to 60°C			Tamb up to 70°C			Tamb up to 80°C		
	T6 / T85°C	T5 / T100°C	T4 / T135°C	T6 / T85°C	T5 / T100°C	T4 / T135°C	T6 / T85°C	T5 / T100°C	T4 / T135°C	T6 / T85°C	T5 / T100°C	T4 / T135°C	T6 / T85°C	T5 / T100°C	T4 / T135°C
	No Tcable marked														
GUB1	10	6	3	0	0	0	0	0	0	0	0	0	0	0	0
GUB2	11	7	3												
GUB3	16	11	5												
GUB4	44	29	14												
GUB5	57	38	19												
GUB6	110	73	36												

Address

A.B. Controls & Technology 1813 Rotary Drive,
Humble, TX, 77338

Web

www.abtech-inc.com

Contacts

Ph: 281-548-3624 - Fax: 281-548-3624

GUB SERIES - FEATURES

Maximum dissipated power for versions Ex db [i.] with or without Ex tb type of protection - Frame mounting installation 6 sides involved in thermal dissipation without warning entry point			
Type (SS)	Tamb up to 40°C	Tamb up to 50°C	Tamb up to 60°C
	T6 / T85°C		
	No Tcable marked		
GUB1	12	8	4
GUB2	14	9	4
GUB3	21	14	7
GUB4	47	31	15
GUB5	61	40	20
GUB6	123	82	41

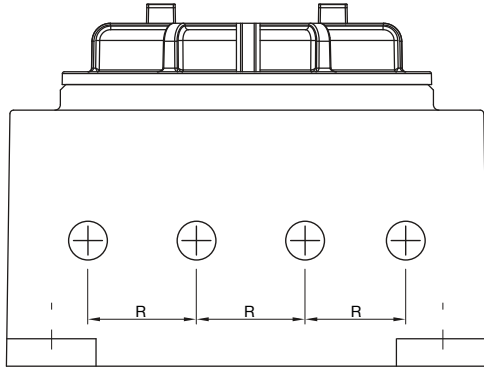
Maximum dissipated power for versions Ex db [i.] with or without Ex tb type of protection - Wall mounting installation 5 sides involved in thermal dissipation without warning entry point			
Type (SS)	Tamb up to 40°C	Tamb up to 50°C	Tamb up to 60°C
	T6 / T85°C		
	No Tcable marked		
GUB1	10	6	3
GUB2	11	7	3
GUB3	16	11	5
GUB4	44	29	14
GUB5	57	38	19
GUB6	110	73	36



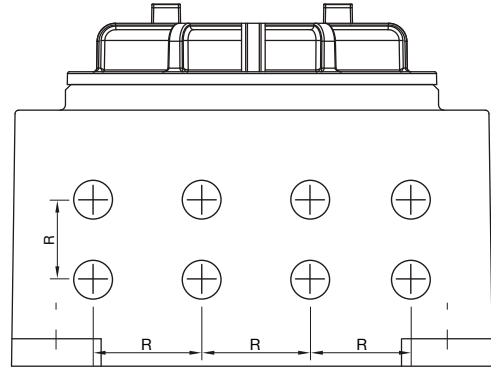
GUB SERIES - FEATURES

MAXIMUM NUMBER OF CABLE ENTRIES

LAYOUT A



LAYOUT B



ENCLOSURES	SIDE	1/4" ÷ 1/2" ①		3/4" ①		1" ①		1" 1/4" ①		1" 1/2" ①		2" ①		2" 1/2" ①		3" ①									
		M12÷ M20x1.5		M25x1.5		M32x1.5		M40x1.5		M50x1.5		M63x1.5		M75x1.5 or 2		M80x1.5 or 2									
		R	Layout		R	Layout		R	Layout		R	Layout		R	Layout		R	Layout							
			A	B		A	B		A	B		A	B		A	B		A	B						
GUB 1	S	44	3	-	55	2	-	65	-	-	75	-	-	80	-	-	90	-	-	120	-	-	130	-	-
	L		3	-		2	-		-	-		-	-		-	-		-	-		-	-		-	-
GUB 2	S	44	4	8	55	3	-	65	2	-	75	2	-	80	2	-	90	1	-	120	-	-	130	-	-
	L		4	8		3	-		2	-		2	-		2	-		1	-		-	-		-	-
GUB 3	S	44	4	8	55	3	-	65	2	-	75	2	-	80	2	-	90	2	-	120	-	-	130	-	-
	L		5	10		4	-		3	-		3	-		2	-		2	-		-	-		-	-
GUB 4	S	44	5	15 ②	55	4	8	65	3	6	75	3	-	80	2	-	90	2	-	120	1	-	130	1	-
	L		6	18 ②		4	8		4	8		3	-		3	-		3	-		2	-		2	-
GUB 5	S	70	6	18 ②	70	5	10	70	5	6	75	4	-	80	4	-	90	4	-	120	3	-	130	2	-
	L		6	18 ②		5	10		5	8		4	-		4	-		4	-		3	-		2	-
GUB 6	S	44	10	30 ②	55	8	24 ②	65	7	6	75	6	12	80	5	10	90	5	-	120	3	-	130	3	-
	L		10	30 ②		8	24 ②		7	8		6	12		5	10		5	-		3	-		3	-

① = ANSI/ASME B1.20.1 NPT

② = Arranged on 3 rows

L = Long Side

S = Short Side



Address

A.B. Controls & Technology 1813 Rotary Drive,
Humble, TX, 77338

Web

www.abtech-inc.com

Contacts

Ph: 281-548-3624 - Fax: 281-548-3624

This catalogue is intended for commercial purposes only. For hazardous area equipments and components, the relevant standards, the relevant certificates and the relevant operating and maintenance instructions, must be followed. Changes or mistakes do not justify any claim for damage compensation.