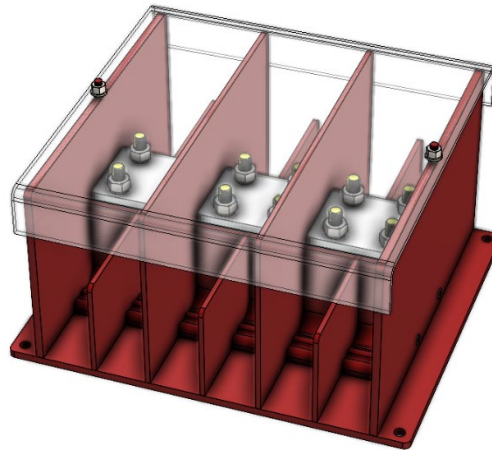


MVH Terminal

8.8kV

Abtech's medium voltage terminal is a component certified device that simplifies the connection of 8.8kV AC/DC electrical supplies. It can be used with any ATEX or IECEx Zone 1 certified enclosure.



- Available in three, four, six, eight and nine-way configurations
- Can be linked in pairs or multiples
- Suitable for high operating temperature applications up to 130°C
- The MVH range comes with a transparent acrylic cover

Terminal Data

Product Reference (TATE...)	Width (mm)		Height (mm)		Depth (mm)		Maximum Voltage (kV)*	Maximum Current (A)	Maximum Ways	Weight (kg)
	X	X(M)	Y	Y(M)	Z	Z(M)				
MVH3/300A	188	168	270	250	176	4	8.8	300	3	2.6
MVH3/600A	188	168	270	250	176	4	8.8	600	3	2.6
MVH4/300A	232	212	270	250	176	4	8.8	300	4	4.5
MVH4/600A	232	212	270	250	176	4	8.8	600	4	4.5
MVH6/300A	320	300	270	250	176	4	8.8	300	6	6.4
MVH6/600A	320	300	270	250	176	4	8.8	600	6	6.4
MVH8/300A	408	388	270	250	176	4	8.8	300	8	8.3
MVH8/600A	408	388	270	250	176	4	8.8	600	8	8.3
MVH9/300A	452	437	270	250	178	6	8.8	300	9	10.2
MVH9/600A	452	437	270	250	178	6	8.8	600	9	10.2

Note- Product part code has TATE prefix i.e. TATEMVH6

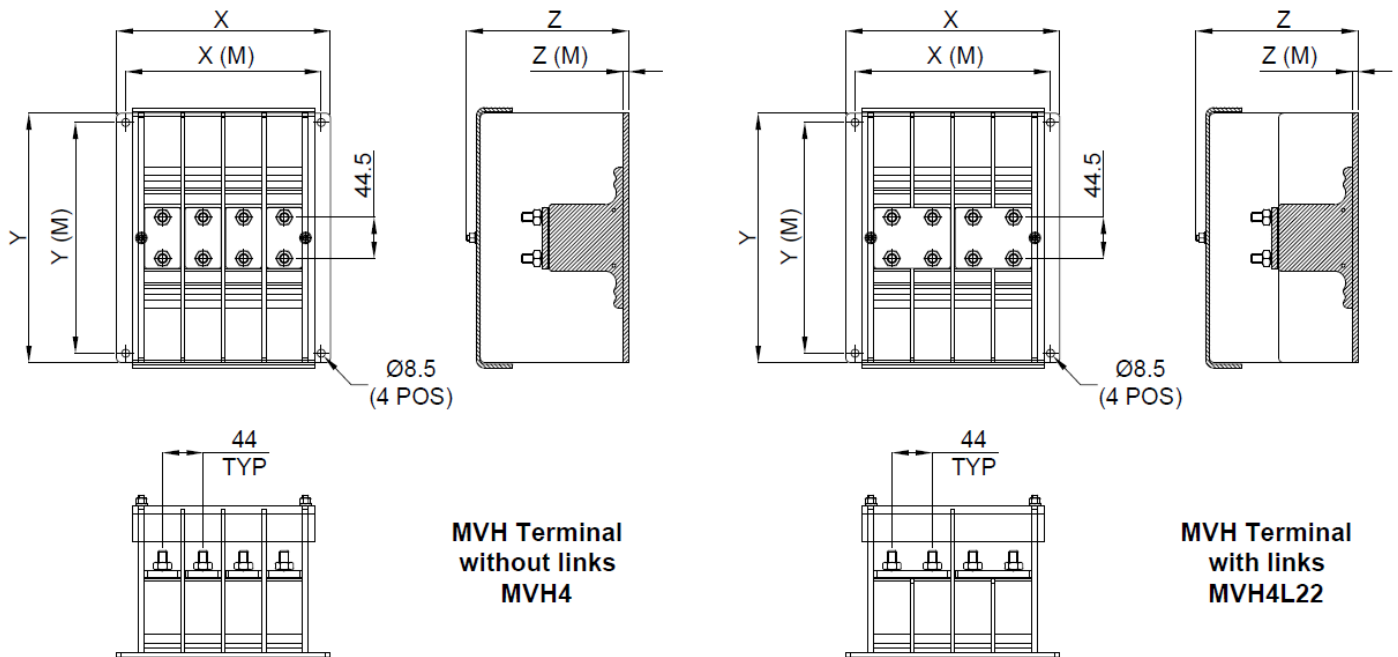
*Max AC/DC voltage dependant on conductor size and lug configuration

Standard Specifications

Product Type	Medium Voltage Terminal
Material	Plastic UTR Laminate
Operating Temp Rating	-40°C to +130°C
Crimp Lugs	MV – M10 single or double hole, sizes 1.5mm ² up to 240mm ² (M8 & M12 options)
Mounting	4 x M8 clearance holes
Link Bars	Tinned copper
Certification	
Area Classification	Zone 1 & 21 component certificate
Type of Protection	Ex e (Increased Safety)
Apparatus Coding	Ex eb IIC Gb
Certificate Number	ATEX: CML 15ATEX3096U / IECEx: CML 15.0051U / UKCA: CML 23UKEX3297U

Max Conductor Size (mm ²)	Max Operating Voltage AC/DC (kV)	Cable Lug Fixing Centres (mm)	Cable Lug Fixing Stud
240	8.80	44.5	M10

General Arrangement



Options

L _{xx}	Linking: 1st x = link type (pairs, triple) 2nd x = Quantity of links required
M _{xx} (specify size)	Alternative crimp lug fixing stud size as required i.e. M8 or M12

Add the required option code to the product reference.

Example: TATEMVH6L23M8/300A – 6 way 8.8kV, 300A max terminal block linked in pairs, three links, M8 Lug fixing stud.

Enclosure Requirements

The MVH terminal is fully compatible with our SX Range stainless steel enclosures, provided they have a depth of 200mm or greater to meet the clearance requirements for safe and proper installation.