

Gamma Floodlight

LED IP66/67

The Gamma is a high output LED floodlight is designed for use in Zone 2, 21 & 22 hazardous areas. The compact design and flexible mounting allows the Gamma to also be used as a lowbay.

Key Features:

- High performance LED module providing uniform and crisp white light.
- Stainless steel construction to ensure extended life in harsh conditions
- Control gear with thermal cut-off protection to maintain LED life
- 5-year complete system warranty



Luminaire Ratings

Product Reference	Colour Temperature (K)	Lumen Output (lm)	Power (W)	Temp Class and Surface Temp				Weight (kg)
				Tamb 55 °C		Tamb 40 °C		
LX2GAM2LB40	4,000	20,000	96	T3	T100°C	T4	T85°C	13

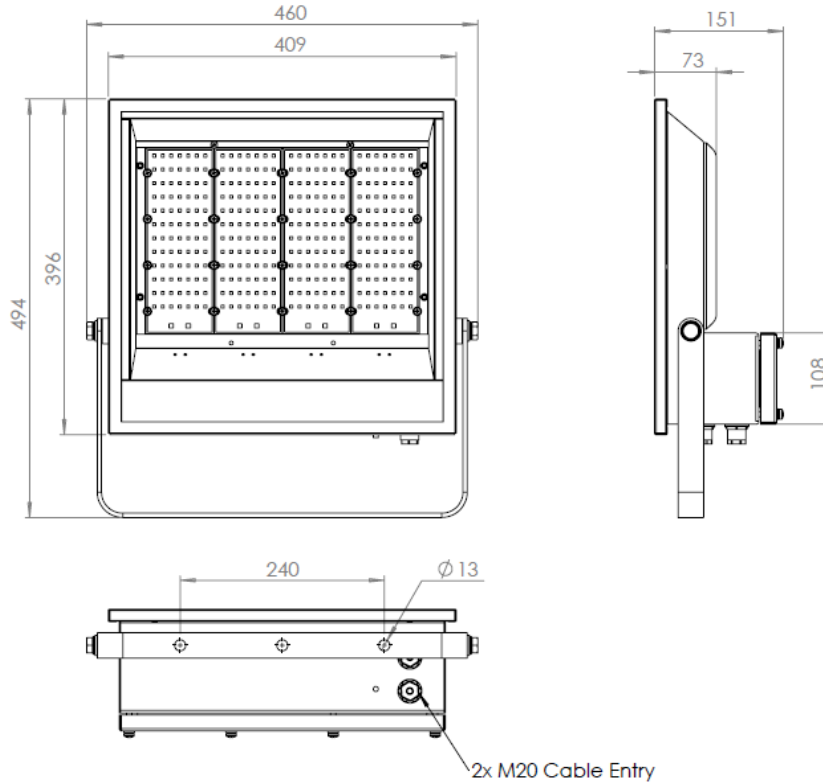
Standard Specifications

Luminaire Type	Zone 2 & 21, 22 LED Floodlight/Lowbay
Ingress Protection	IP66/67 to EN60529
Ambient Temperature	-50°C to +55°C (<i>high ambient +70°C option available</i>)
Material	Stainless steel 316 grade housing, toughened glass window, silicone gaskets and stainless-steel fixings
Lamp Types	Light emitting diode, pure white (4000K)
Colour Rendering Index	> 80
LED Life	50,000 hours L ₇₀ @ 50°C
Cable Entry	2 x M20 clearance holes. Supplied with 1 x Ex plug and 1 x transit plug
Terminals	Looping terminal block for up to 4mm ² conductors
Control Gear	Electronic driver: EN60601-1 (CE), EN61204-3 (EMC), EN61000-4-5 (Surge Protection Class 4).
Orientation	0° to 120°
Mounting	Via saddle bracket
Supply	110 to 254V 50/60Hz ac
Certification	
Area Classification	Zone 2, 21 & 22, Gas and Dust
Type of Protection	Ex nA (non-sparking), Ex tb & Ex tc (Dust)
Apparatus Coding*	Ex nA IIC T* Gc, Ex tb IIC T*°C Db and Ex tc IIIC T*°C Dc
Certificate Number	CML 15ATEX3045 (Zone 2 & 22), CML 15ATEX4042 (Zone 21) / IECEx CML15.0022

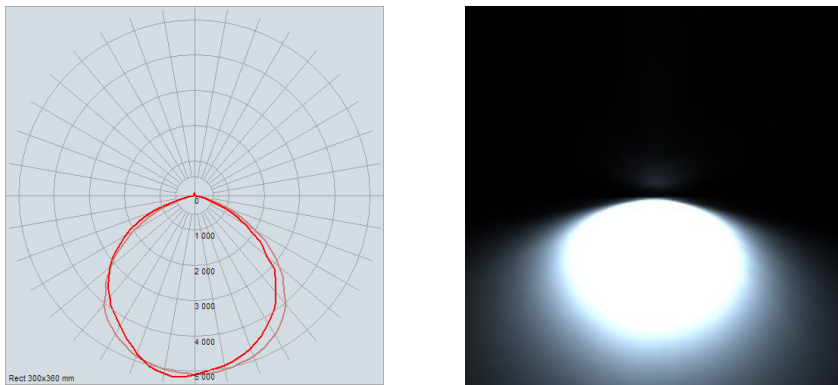
* Refer to luminaire rating table for T & ambient

Product design and specifications are subject to change without notice; please check the website for latest specifications

Luminaire Dimensions



Photometrics



Options

M25	M25 cable entries (other thread types available on request)
70C	High ambient version suitable for +70°C operation
OPT	Diffused optic to reduce glare

Add the required suffix to the product reference.

Example: **LX2GAM4LB57M25** = Zone 2, LED floodlight with M25 entries

Accessories

LX4GAM-PM1	Pole mounting bracket – 316 SS (to suit $\varnothing 35$ to $\varnothing 50$ mm spigot)
LX4GAM-WG	Wire guard – 316 SS