

# ExLED Linear

**LED** IP66

The ExLED is a linear LED luminaire designed to replace traditional linear T8 fluorescents. It is certified for use in Zone 2 and 22 hazardous areas.

## Key Features:

- Reduced maintenance and downtime due to longer maintenance intervals
- Replace LED and driver modules on-site
- Emergency battery backup with automatic monitoring and bi-colour LED indicator
- Automatic function and duration testing



## Luminaire Ratings

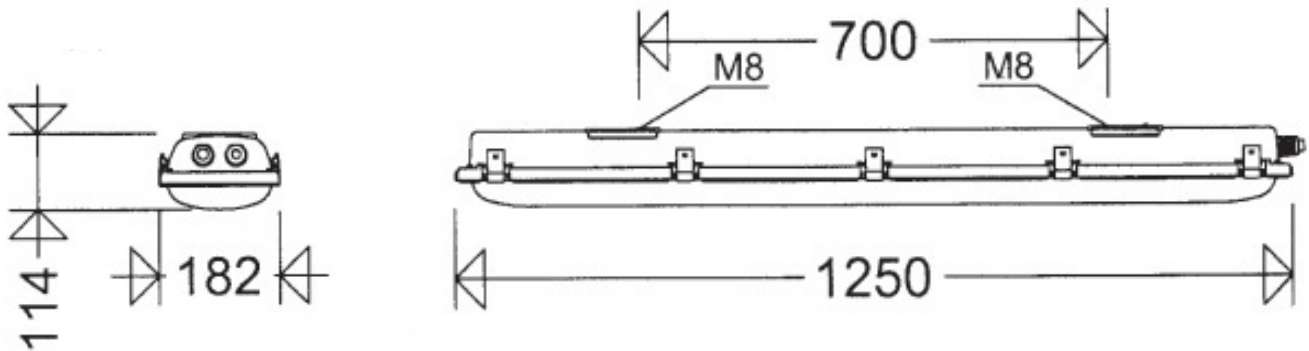
Product Reference	Fluorescent Equivalent	Length (mm)	Power (W)	Lumen Output (lm)	Temperature Rating	Ambient Temperature*	Weight (kg)
LX2E866F12L42	2 x 36W	1250	31	4,420	T4	-30°C to 40°C	4.7
LX2E866F12L60	2 x 58W	1250	46	6,060	T4	-30°C to 40°C	4.7
LX2E867F12L4234	2 x 36W	1250	33	4,420	T4	-30°C to 40°C	5.5
LX2E867F12L6034	2 x 58W	1250	48	6,060	T4	-30°C to 40°C	5.5

866 = Standard operation or for use with central battery systems, **867 = Emergency battery backup version**

\* high ambient temperature version available – contact sales for information

## Standard Specifications

Luminaire Type	Zone 2 & 22 Linear LED Luminaire
Ingress Protection	IP66
Material	GRP enclosure with frosted polycarbonate diffuser, stainless steel clips.
Distribution/output	Via diffuser
Light Source	Light emitting diode, pure white (5000K)
LED Life	100,000 hours L <sub>70</sub> @ 55°C
Colour Rendering Index	CRI 80
Cable Entry	3 x M25 clearance holes. Supplied with 1 x Ex plug and 2 x Ex plastic glands
Terminals	Terminal block for up to 2.5mm <sup>2</sup> conductors, through wiring as standard
Control Gear	High Frequency
Mounting	M8 fixing points
Supply	220 to 240V 50/60Hz ac dc
Battery (867 only)	4 Ah NiCd
Duration (867 only)	3 hours
<b>Certification</b>	
Area Classification	Zone 2 & 22, Gas & Dust
Type of Protection	Increased Safety (Ex e)
Apparatus Coding	Non Em: II 3 G Ex ec IIC T4 Gc, II 3 D Ex tc IIIC T80°C Dc Em: II 3 G Ex ec IIC T4 Gc, II 3 D Ex tc IIIC T80°C Dc
Certificate Number	IBExU 16 ATEX B006, IECEx IBE 15.0015



Options

ZB	Adaption for use with central battery connection
RR	Single sided Loop in / Loop out connections
DALI	Dimming via DALI commands
RI	Remote inhibition facility

Accessories

LX4MOD-HK	Retaining clips for variable mounting distances (Pair)
LX4MOD-PM1	Pipe clamps 1 ½" with support (Pair)– 316 SS
LX4MOD-PM2	Pipe clamps 2" with support (Pair) – 316 SS
LX4MOD-CB	Ceiling mount bracket (Pair)- 316 SS
LX4MOD-WBA	Wall mounting bracket (Pair) – 316 SS
LX4MOD-WBA30	Angled (30°) wall mount bracket (Pair)- 316 SS
LX4MOD-WBA45	Angled (45°) wall mount bracket (Pair)- 316 SS
LX4MOD-HE	Suspension eyes with bolts (Pair) – 316 SS
LX4MOD-ECP1	Brass internal earth continuity plate (1 x M25)
LX4MOD-ECP2	Brass internal earth continuity plate (2 x M25)